

# BMMB

## Value IP Camera



### BMMB5XFG400

- Value IP Bullet
- 1/3" Progressive Scan CMOS Sensor
- H.265+/H.265/H.264+/H.264 Compression Method
- 2.7-13.5mm Motorized Lens
- IR Distance 40M Max.
- With Internal POE

www.longse.com

Data Subject To Change Without Notice

SPECIFICATION	
<b>Model NO.</b>	<b>BMMB5XFG400</b>
<b>Camera</b>	
Image Sensor	1/3" Progressive Scan CMOS Sensor
Resolution	4MP
Effective Pixels	2560(H)*1440(V)
Compression	H.264/H.264+/H.265/H.265+/JPEG/AVI
TV System	PAL/NTSC
Electronic Shutter Time	Auto: PAL 1/25-1/10000Sec; NTSC 1/30-1/10000Sec
Minimum Illumination	0.01Lux
S/N Ratio	60dB
Scanning System	Progressive
Video Output	Network
Reset Button	Optional
<b>Lens</b>	
Focus Length	2.7-13.5mm Motor Zoom
Focus Control	Auto
Lens Type	Auto
Pixels	4MP
<b>Night Vision</b>	
Infrared LED	42μ x 4PCS
Infrared Distance	40M
IR Status	Auto Control
IR Power On	Smart, Manual & Timed mode
<b>Network</b>	
Ethernet	RJ-45 (10/100Base-T)
Wireless	/
Protocol	TCP/IP, ICMP, HTTP, HTTPS, FTP, DHCP, DNS, DDNS, RTP, RTSP, RTCP, PPPoE, NTP, SMTP, UDP
ONVIF	Support ONVIF 2.4(Profile S/T/G)
P2P	YES
POE	Optional, Support IEEE 802.3af
Video Delay	0.3S (Within the Lan)
Main Stream 1	2688*1512@20fps
Main Stream 2	2560*1440@30fps
Main Stream 3	1920*1080@30fps 1280*720@30fps
Sub Stream 1	1280*720@30fps
Sub Stream 2	720*480@30fps
Sub Stream 3	/
Tri Stream	/
IE Brower	IE8-11, Google Chrome, Firefox , Mac Safari
Smart Phone	iPhone, Android
<b>AI Function</b>	
Intelligent Analysis	Intrusion Detetion
<b>Camera Features</b>	
Day/Night	Color/ B&W (IR-CUT )
Image Config	Saturation/Brightness/Contrast /Sharpness, Mirror, 3D NR , White Balance, FLK(Flicker Control), Video Tampering, HLC, Distortion
Full Color	/
Corridor Pattern	Support
Defog Mode	Support
ROI	Support
BLC	Support
WDR	DWDR: 50dB
Motion Detection	Support
Privacy Masking	3 Rectangular Zone
Recording Mode	NVR/CMS/Web
Language	Chinese Simplified, Chinese Traditional, English, Bulgarian, Polish, Arabic, German, Russian, French, Korean, Portuguese, Japanese, Turkish, Spanish, Hebrew, Italian,Nederlands,Czech, Vietnamese
<b>Interface</b>	
Audio	Optional 1 Built-in MIC
Alarm	/
SD Card Slot	Optional Internal, Support Max 512GB
RS485	/
<b>General</b>	
Housing	Metal , IP67
Anti-cut Bracket	YES
IR Cut Filter	YES
Operation Temperature	-20°C ~ +60°C RH95% Max
Storage Temperature	-20°C ~ +60°C RH95% Max
Power Source	DC12V±10%, 950mA
Dimension	268(W) x 95(H) x 88(D)mm
Weight	1.5Kgs

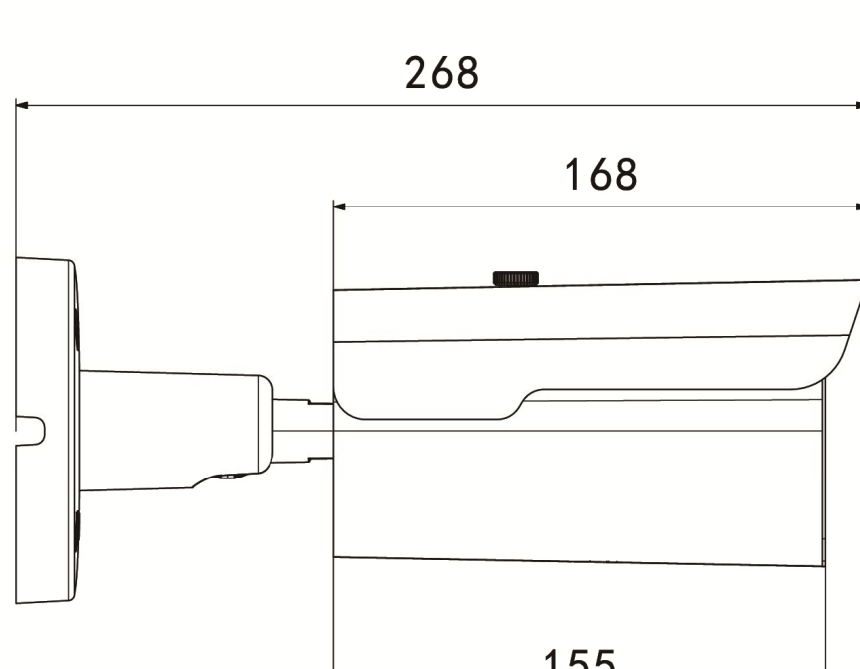
www.longse.com

Data Subject To Change Without Notice

### Technical Specifications

Model	BMMB
Material	Aluminum & SECC & PC
Dimension(WxHxD)	95 x 88 x 268 mm
Weight	1.50kg
Color	White
Operating Temperature	-20°C ~ +60°C
Humidity	< 95% RH
Junction Box	B320

### Dimensions (mm)



www.longse.com

Data Subject To Change Without Notice